

Filthy water

Domestic use

Civil use



PERFORMANCE RANGE

- Flow rate up to **220 l/min** (13.2 m³/h)
- Head up to **30 m**

APPLICATION LIMITS

- **10 m** maximum immersion depth (with a sufficiently long power cable)
- Maximum liquid temperature **+40 °C**
- Suction down to **50 mm** above ground level
- Minimum immersion depth for continuous service **300 mm**

CONSTRUCTION AND SAFETY STANDARDS

- Power cable
- External float switch and control box for single-phase versions

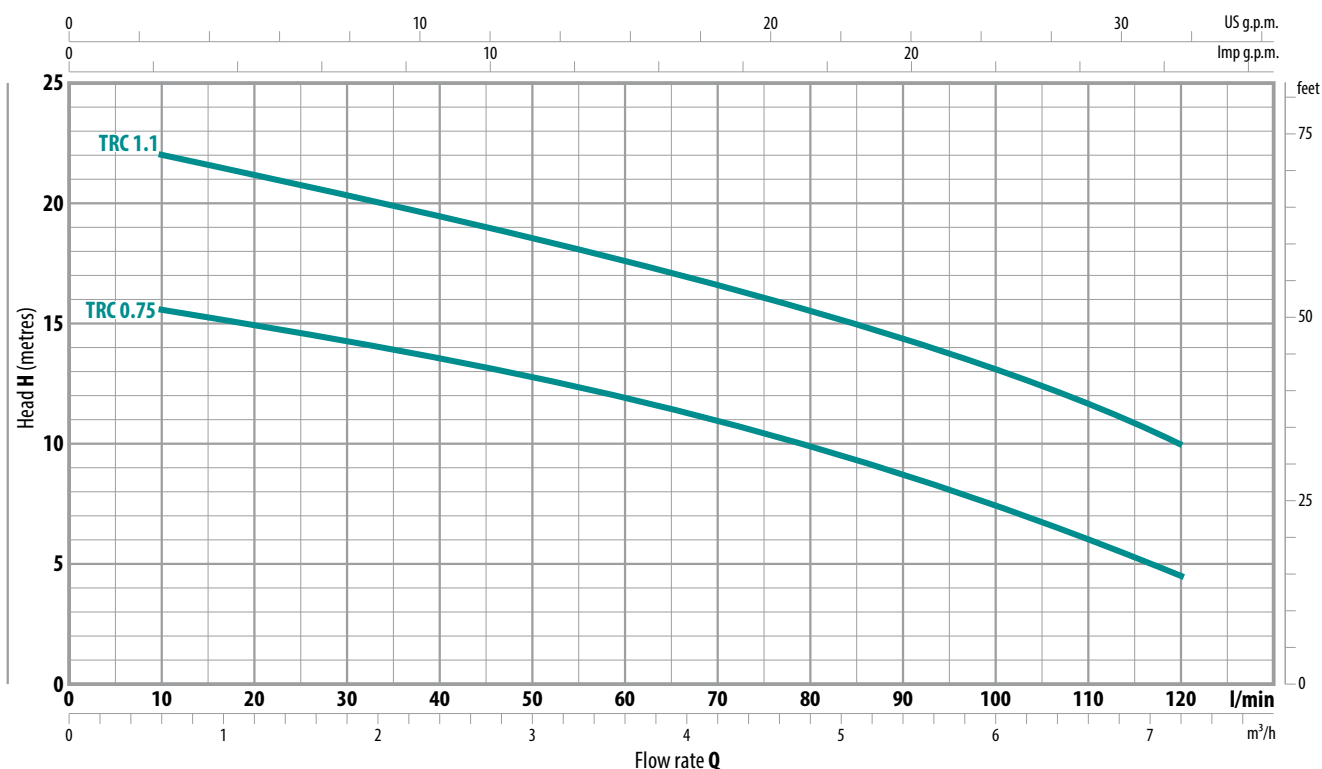
EN 60335-1
IEC 60335-1
CEI 61-150

EN 60034-1
IEC 60034-1
CEI 2-3



CHARACTERISTIC CURVES AND PERFORMANCE DATA

50 Hz | n=2900 min⁻¹



MODEL		POWER (P ₂)		Q	Flow rate Q							
Single-phase	Three-phase	kW	HP		m ³ /h	0	0.6	1.2	2.4	3.6	4.8	6.0
TRCm 0.75	TRC 0.75	0.75	1	l/min	0	10	20	40	60	80	100	120
TRCm 1.1	TRC 1.1	1.1	1.5	H metres	16.5	15.5	15	13.5	11.8	10	7.5	4.5
					23	22	21	19.5	17.5	15.5	13	10

Q = Flow rate
H = Total manometric head

Tolerance of characteristic curves in compliance with EN ISO 9906 Grade 3B.

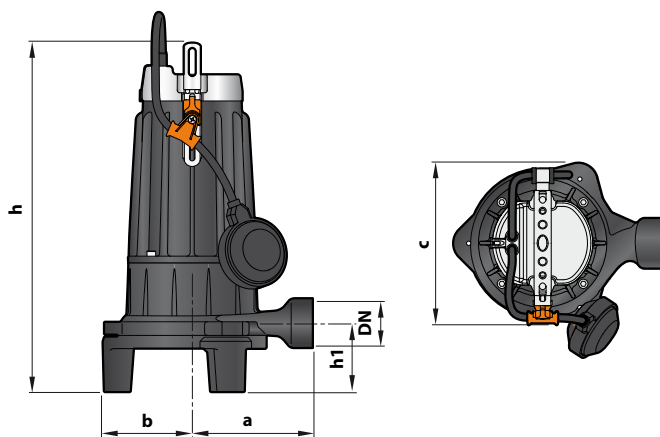
INSTALLATION AND USE

The TRC series of grinder pumps manufactured from heavy gauge robust cast iron, resistant to abrasion and long-lasting, are fitted with a GRINDER in tempered stainless steel of great resistance which completely grinds up solid bodies and fibres in waste and reflux water from domestic and civil applications and conveys it under pressure into the sewers through small diameter pipes.

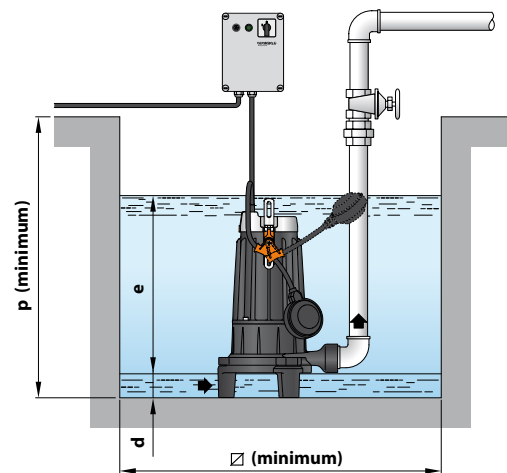
CONSTRUCTION CHARACTERISTICS

PUMP BODY	Cast iron with an Epoxy Electro Coating treatment, with threaded port in compliance with ISO 228/1	
IMPELLER	Technopolymer open type	
GRINDER	Tempered AISI 440C stainless steel	
MOTOR SHAFT	Stainless steel AISI 431	
SHAFT WITH DOUBLE MECHANICAL SEAL SEPARATED BY AN OIL CHAMBER	Motor side: Silicon carbide - Graphite - NBR	Pump side: Silicon carbide - Silicon carbide - NBR
POWER CABLE	H07 RN-F type 10 m long power cable (with Schuko plug for single-phase versions only)	

DIMENSIONS AND WEIGHT



Standard installation (for single-phase version)



MODEL		PORT DN	DIMENSIONS mm									kg *	
Single-phase	Three-phase		a	b	c	h	h1	d	e	p	Ø	1~	3~
TRCm 0.75	TR 0.75	1¼"	140	100	200	387	61	50	variable	500	500	23.5	22.6
TRCm 1.1	TR 1.1											23.9	23.1

(* weight of pump without control box)

ABSORPTION

MODEL	VOLTAGE	
Single-phase	230 V	240 V
TRCm 0.75	5.5 A	5.3 A
TRCm 1.1	7.4 A	7.1 A

MODEL	VOLTAGE			
Three-phase	230 V	400 V	240 V	415 V
TRC 0.75	4.0 A	2.5 A	3.9 A	2.5 A
TRC 1.1	5.2 A	3.0 A	5.0 A	2.9 A

PALLETIZATION

MODEL		GROUPAGE	CONTAINER
Single-phase	Three-phase	n. pumps	n. pumps
TRCm 0.75	TR 0.75	40	60
TRCm 1.1	TR 1.1	40	60